



Specialized Plastic Telescopic Tubes & Containers



TERMS & CONDITIONS

THINGS TO KNOW WHEN ORDERING

1. Ordering Information

- For standard catalog items, please specify Beckett Reference Number and color desired.
- Your logo can be printed on many of our products for a small additional charge.
- Beckett Packaging also offers a free design service for labels and direct printing on most packaging.

2. Terms

- Net 30 days from shipment, subject to credit approval. FOB our plant.

3. Returns

- All returns or charge-backs must be approved by Beckett Packaging. Unauthorized returns cannot be accepted. Production parts are not returnable, unless defective. Stock parts are subject to a \$50 restocking charge. All claims for returns must be made within 30 days from invoice date.

4. Over/Under Runs

- Due to the difficulty in producing exact quantities, all orders within 10% of ordered quantity must be considered complete.

5. Samples

- Beckett Packaging recommends approval of samples before ordering, especially on production run parts. Please request FREE Samples to test with your application. Returns will not be accepted if samples were refused.

For a Complete List of Terms,
please visit our website.

www.beckettpackaging.com

The three primary substances used in manufacturing Beckett Packaging products are PP, PE and PVC.

All can be recycled.

sales@beckettpackaging.com

800-649-4980

409 Parkway Drive • Park Hills, MO 63601





Beckett Packaging, which is a sales division of **MOCAP**, is a leading manufacturer of Specialized Cutting Tool Packaging for the world's cutting tool industry.

MOCAP, who has been manufacturing plastics in the Saint Louis, Missouri area for over thirty years, is now integrating Beckett Packaging's plastic packaging solutions to companies around the world from our locations in North America, Latin America, the United Kingdom and China.




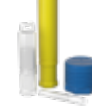












Beckett Packaging's continually expanding product range is designed to provide our customers with simple solutions to their packaging problems. Our state-of-the-art equipment utilizes the latest blow-molding and injection-molding technology, while investments in our employees give you the most experienced sales, engineering and production staff in the industry.

We realize you have many options when it comes to selecting a supplier. With the highest quality products, excellent service and competitive pricing, Beckett Packaging is set apart from the competition.



Packaging Solutions from **MOCAP**

800-649-4980 • sales@beckettpackaging.com
409 Parkway Drive, Park Hills, MO 63601

	Square Telescopic Tubes 1
	Rectangular Telescopic Tubes..... 3
	Grip-Paks 5
	Round Telescopic Tubes..... 7
	Multi Boxes..... 9
	Snap-Paks & Burr-Paks..... 10
	Insert Boxes 11
	Tap Set Boxes..... 14
	Side & Face Mill Boxes 15
	Saw Boxes 16
	SK Boxes 17
	Vertical Set Paks 18
	Cylinder-Paks 19
	Tool Foam Protection..... 20
	Protective Tool Covers..... 21
	Plastic Labels 22

SQUARE TELESCOPIC TUBES

SQT SERIES



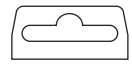
**FREE
SAMPLES**

- Durable, Reusable and Resistant to Contaminates and Moisture
- Adjustable Telescopic Length Variation
- Ratchet-Style Length Adjustment
- Prevents Rolling, Excellent for Stacking
- Foam Protection Available (see pg. 20)
- Available With and Without Hanger

Hanger Styles



Round (SQT12-SQT35)



Sombrero (SQT40-SQT77)

- Available With and Without Warning Message

Standard Warning Message



Custom Embossed Logos



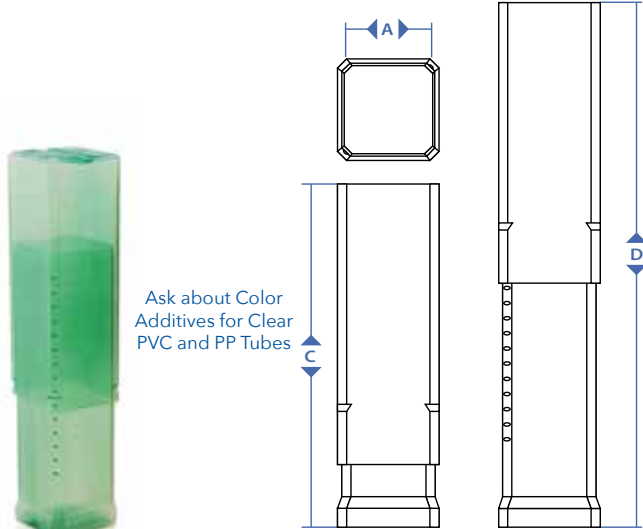
COLOR OPTIONS



MATERIAL COLORS: Red, Green (Light, Medium & Dark), Blue (Light, Medium & Dark), Orange, Yellow (Medium & Dark), Black HDPE, Transparent PP, Clear PVC and also Metallic Silver and Gold.

CUSTOM COLORS: Can be produced on request.

PRINTING: All sizes can be printed to your individual requirements.



Ask about Color Additives for Clear PVC and PP Tubes

REF #	(A) INSIDE WIDTH		(C) MIN. INSIDE LENGTH		(D) MAX. INSIDE LENGTH	
	in	mm	in	mm	in	mm
SQT08048 ••	0.315	8.0	1.890	48.0	3.000	76.2
SQT08077 ••	0.315	8.0	3.032	77.0	5.000	127.0
SQT08091 ••	0.315	8.0	3.583	91.0	6.125	155.6
SQT08120 ••	0.315	8.0	4.724	120.0	7.874	200.0
SQT08200 ••	0.315	8.0	7.874	200.0	13.780	350.0
SQT10056 •	0.394	10.0	2.205	56.0	3.500	88.9
SQT10079 •	0.394	10.0	3.110	79.0	5.000	127.0
SQT10108 •	0.394	10.0	4.250	108.0	7.250	184.2
SQT10181 •	0.394	10.0	7.125	181.0	12.375	314.3
SQT10250 •	0.394	10.0	9.843	250.0	18.110	460.0
SQT12050	0.472	12.0	1.969	50.0	3.150	80.0
SQT12070	0.472	12.0	2.756	70.0	4.250	108.0
SQT12110	0.472	12.0	4.331	110.0	7.500	190.5
SQT12200	0.472	12.0	7.874	200.0	13.780	350.0
SQT12250	0.472	12.0	9.843	250.0	18.110	460.0
SQT14048	0.551	14.0	1.890	48.0	2.750	69.9
SQT14065	0.551	14.0	2.559	65.0	4.000	101.6

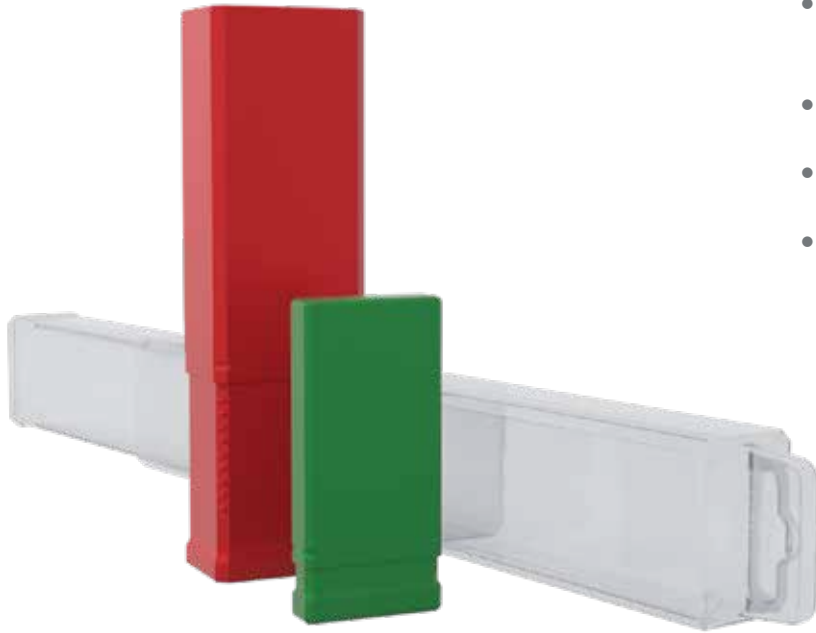
• Hanger Not Available • Warning Message Not Available

REF #	(A) INSIDE WIDTH		(C) MIN. INSIDE LENGTH		(D) MAX. INSIDE LENGTH	
	in	mm	in	mm	in	mm
SQT14106	0.551	14.0	4.173	106.0	7.000	177.8
SQT14156	0.551	14.0	6.142	156.0	9.875	250.8
SQT14182	0.551	14.0	7.165	182.0	12.000	304.8
SQT14300	0.551	14.0	11.811	300.0	19.750	501.7
SQT16050	0.630	16.0	1.969	50.0	3.150	80.0
SQT16076	0.630	16.0	2.992	76.0	4.875	123.8
SQT16133	0.630	16.0	5.236	133.0	8.875	225.4
SQT16184	0.630	16.0	7.244	184.0	12.500	317.5
SQT20056	0.787	20.0	2.205	56.0	3.125	79.4
SQT20081	0.787	20.0	3.189	81.0	5.000	127.0
SQT20123	0.787	20.0	4.843	123.0	8.000	203.2
SQT20200	0.787	20.0	7.874	200.0	13.780	350.0
SQT20350	0.787	20.0	13.780	350.0	24.750	628.7
SQT22050	0.866	22.0	1.969	50.0	3.150	80.0
SQT22070	0.866	22.0	2.756	70.0	4.125	104.8
SQT22104	0.866	22.0	4.094	104.0	7.000	177.8
SQT22176	0.866	22.0	6.929	176.0	12.000	304.8
SQT22200	0.866	22.0	7.874	200.0	13.780	350.0
SQT26050	1.024	26.0	1.969	50.0	3.150	80.0
SQT26060	1.024	26.0	2.362	60.0	3.125	79.4
SQT26080	1.024	26.0	3.150	80.0	4.750	120.7
SQT26098	1.024	26.0	3.858	98.0	6.500	165.1
SQT26120	1.024	26.0	4.724	120.0	7.875	200.0
SQT26189	1.024	26.0	7.441	189.0	13.125	333.4
SQT26350	1.024	26.0	13.780	350.0	24.750	628.7
SQT32050	1.260	32.0	1.969	50.0	2.750	69.9
SQT32080	1.260	32.0	3.150	80.0	4.750	120.7
SQT32100	1.260	32.0	3.937	100.0	6.250	158.8
SQT32120	1.260	32.0	4.724	120.0	7.875	200.0
SQT32160	1.260	32.0	6.299	160.0	10.500	266.7
SQT32225	1.260	32.0	8.858	225.0	14.250	362.0
SQT32350	1.260	32.0	13.780	350.0	24.750	628.7
SQT35050	1.378	35.0	1.969	50.0	2.756	70.0
SQT35060	1.378	35.0	2.362	60.0	3.150	80.0
SQT35080	1.378	35.0	3.150	80.0	4.724	120.0
SQT35120	1.378	35.0	4.724	120.0	7.874	200.0
SQT35200	1.378	35.0	7.874	200.0	13.780	350.0
SQT35300	1.378	35.0	11.811	300.0	21.260	540.0
SQT35350	1.378	35.0	13.780	350.0	24.409	620.0
SQT40056	1.575	40.0	2.205	56.0	3.000	76.2
SQT40086	1.575	40.0	3.386	86.0	5.125	130.2
SQT40133	1.575	40.0	5.236	133.0	8.500	215.9
SQT40220	1.575	40.0	8.661	220.0	14.000	355.6
SQT45060	1.772	45.0	2.362	60.0	3.125	79.4
SQT45080	1.772	45.0	3.150	80.0	4.750	120.7
SQT45108	1.772	45.0	4.250	108.0	6.750	171.5
SQT45160	1.772	45.0	6.299	160.0	10.750	273.1
SQT45225	1.772	45.0	8.858	225.0	14.250	362.0
SQT45350	1.772	45.0	13.780	350.0	24.750	628.7
SQT52063	2.047	52.0	2.480	63.0	3.500	88.9
SQT52112	2.047	52.0	4.409	112.0	6.500	165.1
SQT52165	2.047	52.0	6.496	165.0	10.625	269.9
SQT52292	2.047	52.0	11.496	292.0	19.750	501.7
SQT56060	2.205	56.0	2.362	60.0	3.125	79.4
SQT56080	2.205	56.0	3.150	80.0	4.750	120.7
SQT56117	2.205	56.0	4.606	117.0	7.000	177.8
SQT56180	2.205	56.0	7.087	180.0	11.750	298.5
SQT56350	2.205	56.0	13.780	350.0	24.409	620.0
SQT65080	2.559	65.0	3.150	80.0	4.750	120.7
SQT65127	2.559	65.0	5.000	127.0	7.500	190.5
SQT65197	2.559	65.0	7.756	197.0	12.000	304.8
SQT65300	2.559	65.0	11.811	300.0	19.750	501.7
SQT65350	2.559	65.0	13.780	350.0	24.409	620.0
SQT77090	3.032	77.0	3.543	90.0	5.125	130.2
SQT77150	3.032	77.0	5.906	150.0	10.000	254.0
SQT77275	3.032	77.0	10.827	275.0	17.688	449.3

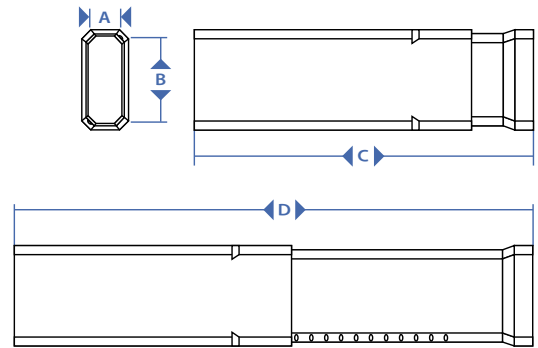
"Inners" and "outers" are packed in separate cartons.

RECTANGULAR PAKS

RP SERIES



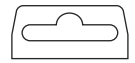
- Great to Package Reciprocal Saw Blades, Hacksaw Blades, Planing Knives, Machine Knives, etc.
- Durable, Reusable and Resistant to Contaminates and Moisture
- Adjustable Telescopic Length Variation
- Ratchet-Style Length Adjustment
- Available With and Without Hanger



HANGER STYLES



Round (<29mm)



Sombrero (>29mm)

REF #	(A) INSIDE HEIGHT		(B) INSIDE WIDTH		(C) MIN. INSIDE LENGTH		(D) MAX. INSIDE LENGTH		STD	HANG
	in	mm	in	mm	in	mm	in	mm		
RP06X20-080	0.236	6.0	0.787	20.0	3.125	79.4	4.750	120.7	✓	✓
RP06X20-120	0.236	6.0	0.787	20.0	4.750	120.7	7.875	200.0	✓	✓
RP08X36-080	0.315	8.0	1.417	36.0	3.125	79.4	4.750	120.7	✓	✓
RP08X36-145	0.315	8.0	1.417	36.0	5.688	144.5	9.000	228.6	✓	✓
RP08X36-255	0.315	8.0	1.417	36.0	10.000	254.0	17.750	450.9	✓	✓
RP08X36-420	0.315	8.0	1.417	36.0	16.500	419.1	30.750	781.1	✓	✓
RP18X42-120	0.709	18.0	1.654	42.0	4.750	120.7	7.875	200.0	✓	
RP19X28-240	0.748	19.0	1.102	28.0	9.438	239.7	16.688	423.9	✓	
RP23X33-270	0.906	23.0	1.299	33.0	10.625	269.9	19.000	482.6	✓	
RP28X44-120	1.102	28.0	1.732	44.0	4.750	120.7	7.875	200.0	✓	✓
RP28X44-220	1.102	28.0	1.732	44.0	8.625	219.1	14.000	355.6	✓	✓
RP28X44-300	1.102	28.0	1.732	44.0	11.875	301.6	20.750	527.1	✓	✓

"Inners" and "outers" are packed in separate cartons.

FREE
SAMPLES

COLOR OPTIONS



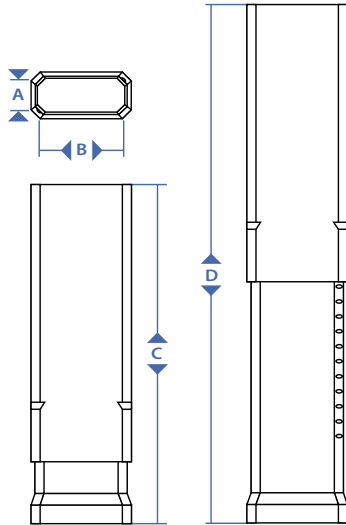
MATERIAL COLORS: Red, Green (Light, Medium & Dark), Blue (Light, Medium & Dark), Orange, Yellow (Medium & Dark), Black HDPE, Transparent PP, Clear PVC and also Metallic Silver and Gold.

CUSTOM COLORS: Can be produced on request.

PRINTING: All sizes can be printed to your individual requirements.

PACKAGING SOLUTIONS

for a wide variety of applications



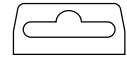
FREE
SAMPLES



HANGER STYLES



Round (<29mm)



Sombbrero (>29mm)

RECIPROCAL SAW BLADE SIZES

REF #	(A) INSIDE HEIGHT		(B) INSIDE WIDTH		(C) MIN. INSIDE LENGTH		(D) MAX. INSIDE LENGTH		STD	HANG
	in	mm	in	mm	in	mm	in	mm		
RP10X22-124	0.394	10.0	0.866	22.0	4.882	124.0	6.890	175.0	✓	✓
RP10X22-251	0.394	10.0	0.866	22.0	9.882	251.0	11.811	300.0	✓	✓
RP14X28-124	0.551	14.0	1.102	28.0	4.882	124.0	6.890	175.0	✓	✓
RP14X28-251	0.551	14.0	1.102	28.0	9.882	251.0	11.811	300.0	✓	✓

"Inners" and "outers" are packed in separate cartons.

COLOR OPTIONS

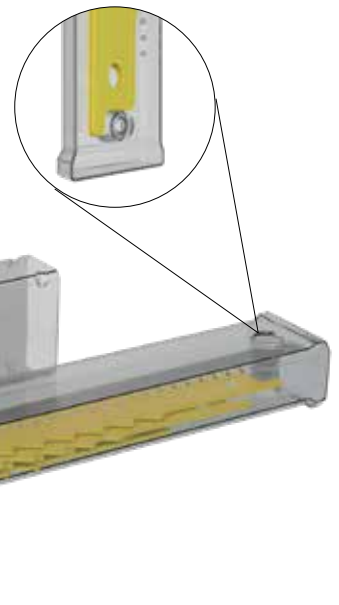


MATERIAL COLORS: Red, Green (Light, Medium & Dark), Blue (Light, Medium & Dark), Orange, Yellow (Medium & Dark), Black HDPE, Transparent PP, Clear PVC and also Metallic Silver and Gold.

CUSTOM COLORS: Can be produced on request.

PRINTING: All sizes can be printed to your individual requirements.

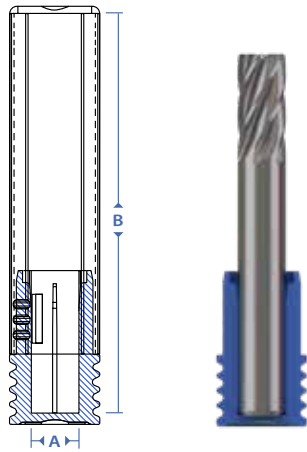
Notched Packaging Holds Blades in Place



Plastic labels can be supplied plain or pre-printed to your own requirements

GRIP-PAKS

GRP SERIES



- Great for Packaging Carbide Cutters, End Mill Bits and Other Shank Tools
- Plug Base Securely Holds Tool In Place
- Durable, Reusable and Resistant to Contaminates and Moisture

**FREE
SAMPLES**

BASE

REF #	(A) TO FIT CUTTER DIAMETER (in)	(mm)
GRPM080003		3.0
GRPM080125	0.125	
GRPM080004		4.0
GRPM080188	0.188	
GRPM080005		5.0
GRPM080006		6.0
GRPM080250	0.250	
GRPM080008		8.0

GRPM100250	0.250	
GRPM100313	0.313	
GRPM100008		8.0
GRPM100375	0.375	
GRPM100010		10.0

GRPM130011		11.0
GRPM130438	0.438	
GRPM130012		12.0
GRPM130500	0.500	

GRPM160014		14.0
GRPM160563	0.563	
GRPM160625	0.625	
GRPM160016		16.0

GRPM200018		18.0
GRPM200750	0.750	
GRPM200020		20.0

CAP

REF #	(B) TO FIT MAX CUTTER LENGTH (in)	(mm)
GRPF080053	2.0	50.8
GRPF080066	2.5	63.5
GRPF080079	3.0	76.2

GRPF100067	2.5	63.5
GRPF100079	3.0	76.2
GRPF100105	4.0	101.6

GRPF130079	3.0	76.2
GRPF130105	4.0	101.6

GRPF160107	4.0	76.2
GRPF160133	5.0	101.6

GRPF200107	4.0	101.6
GRPF200133	5.0	127.0

"Bases" and "Caps" are packed in separate cartons.

Plastic labels can be supplied plain or pre-printed to your own requirements

COLOR OPTIONS



MATERIAL COLORS: LDPE Base: Red, Green (Light, Medium & Dark), Blue (Light, Medium & Dark), Orange, Yellow (Medium & Dark), Black, and also Metallic Silver and Gold, Clarified PP Tube.

CUSTOM COLORS: Can be produced on request.

PRINTING: All sizes can be printed to your individual requirements.

- Extreme Tool Protection
- Longer Length Sizes
- Center Plug and Beveled Cap Holds Tool In Place at Both Ends
- Centers Tools Regardless of Diameter
- Durable, Reusable and Resistant to Contaminates and Moisture



REF #	(A) TO FIT CUTTER DIAMETER		(B) TO FIT TOOL LENGTH	
	in	mm	in	mm
GRCK060049	0.118 - 0.314	3.0 - 8.0	1.500 - 1.930	38.0 - 49.0
GRCK060055	0.118 - 0.314	3.0 - 8.0	1.730 - 2.170	44.0 - 55.0
GRCK060073	0.118 - 0.314	3.0 - 8.0	2.440 - 2.870	62.0 - 73.0
GRCK060090	0.118 - 0.314	3.0 - 8.0	3.150 - 3.540	80.0 - 90.0
GRCK060114	0.118 - 0.314	3.0 - 8.0	4.090 - 4.490	104.0 - 114.0
GRCK060135	0.118 - 0.314	3.0 - 8.0	4.920 - 5.310	125.0 - 135.0
GRCK060163	0.118 - 0.314	3.0 - 8.0	4.130 - 6.420	105.0 - 163.0
GRCK060180	0.118 - 0.314	3.0 - 8.0	4.650 - 7.090	118.0 - 180.0
GRCK060185	0.118 - 0.314	3.0 - 8.0	7.090 - 7.280	180.0 - 185.0
GRCK060240	0.118 - 0.314	3.0 - 8.0	7.130 - 9.450	181.0 - 240.0
GRCK100084	0.313 - 0.392	7.9 - 10.0	2.320 - 3.310	59.0 - 84.0
GRCK100108	0.313 - 0.392	7.9 - 10.0	3.310 - 4.250	84.0 - 108.0
GRCK120086	0.313 - 0.519	7.9 - 13.2	2.440 - 3.390	62.0 - 86.0
GRCK120113	0.313 - 0.519	7.9 - 13.2	3.500 - 4.450	89.0 - 113.0
GRCK120140	0.313 - 0.519	7.9 - 13.2	4.880 - 5.510	124.0 - 140.0
GRCK120190	0.313 - 0.519	7.9 - 13.2	4.840 - 7.480	123.0 - 190.0
GRCK120201	0.313 - 0.519	7.9 - 13.2	7.130 - 7.910	181.0 - 201.0
GRCK120254	0.313 - 0.519	7.9 - 13.2	7.130 - 10.000	181.0 - 254.0
GRCK160084	0.519 - 0.627	13.2 - 15.9	2.360 - 3.310	60.0 - 84.0
GRCK160089	0.519 - 0.627	13.2 - 15.9	2.560 - 3.500	65.0 - 89.0
GRCK160107	0.519 - 0.627	13.2 - 15.9	3.390 - 4.210	86.0 - 107.0
GRCK160135	0.519 - 0.627	13.2 - 15.9	4.490 - 5.310	114.0 - 135.0
GRCK160200	0.519 - 0.627	13.2 - 15.9	5.280 - 7.870	134.0 - 200.0
GRCK200110	0.625 - 0.784	15.9 - 19.9	3.150 - 4.330	80.0 - 110.0
GRCK200114	0.625 - 0.784	15.9 - 19.9	3.500 - 4.490	89.0 - 114.0
GRCK200139	0.625 - 0.784	15.9 - 19.9	4.490 - 5.470	114.0 - 139.0
GRCK200166	0.625 - 0.784	15.9 - 19.9	5.550 - 6.540	141.0 - 166.0
GRCK200230	0.625 - 0.784	15.9 - 19.9	6.540 - 9.060	166.0 - 230.0
GRCK260182	0.750 - 1.020	19.1 - 25.9	5.310 - 7.170	135.0 - 182.0
GRCK260229	0.750 - 1.020	19.1 - 25.9	7.170 - 9.020	182.0 - 229.0

"Bases" and "Caps" are packed in separate cartons.

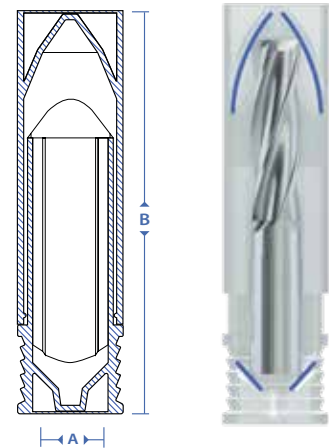
COLOR OPTIONS



MATERIAL COLORS: Clarified PP Tube. Clarified PP Base. Red, Green (Light, Medium & Dark), Blue (Light, Medium & Dark), Orange, Yellow (Medium & Dark), Black, and also Metallic Silver and Gold.

CUSTOM COLORS: Can be produced on request.

PRINTING: All sizes can be printed to your individual requirements.



**FREE
SAMPLES**

Plastic labels can be supplied plain or pre-printed to your own requirements

ROUND TELESCOPIC TUBES

RT SERIES

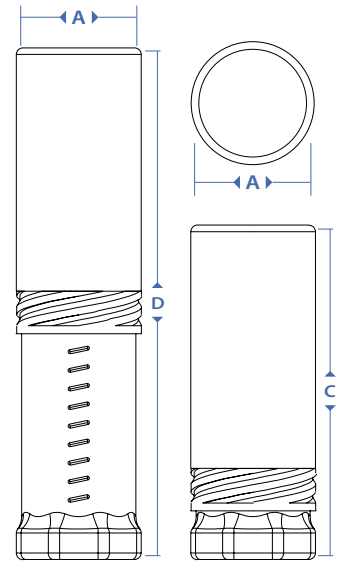


- Durable, Reusable and Resistant to Contaminates and Moisture
- Adjustable Telescopic Length Variation
- Secure Telescopic Screw closure
- Available With and Without Hanger

Ask about Color Additives for Clear PVC and PP Tubes

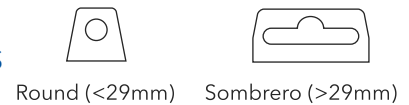


• Ratchet-Style Length Adjustment
(RT012080, RT012090, & RT012125 only)



FREE
SAMPLES

HANGER STYLES



FOAM PROTECTION *page 20*



FOAM DISCS

Specially designed Foam Inserts protect high value, quality cutting tools.



Plastic labels can be supplied plain or pre-printed to your own requirements

COLOR OPTIONS



MATERIAL COLORS: Red, Green (Light, Medium & Dark), Blue (Light, Medium & Dark), Orange, Yellow (Medium & Dark), Black HDPE, Transparent PP, Clear PVC and also Metallic Silver and Gold.

CUSTOM COLORS: Can be produced on request.

PRINTING: All sizes can be printed to your individual requirements.

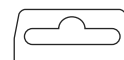
REF #	(A) INSIDE DIAMETER		(C) MIN. INSIDE LENGTH		(D) MAX. INSIDE LENGTH		STD	HANG
	in	mm	in	mm	in	mm		
RT012080*	0.472	12.0	3.150	80.0	4.921	125.0	✓	✓
RT012090*	0.472	12.0	4.921	90.0	5.709	145.0	✓	✓
RT012125*	0.472	12.0	4.921	125.0	8.465	215.0	✓	✓
RT022060	0.866	22.0	2.362	60.0	3.150	80.0	✓	✓
RT022080	0.866	22.0	3.150	80.0	4.724	120.0	✓	✓
RT022120	0.866	22.0	4.724	120.0	7.875	200.0	✓	✓
RT022200	0.866	22.0	7.875	200.0	13.780	350.0	✓	✓
RT022350	0.866	22.0	13.780	350.0	24.803	630.0	✓	✓
RT022670	0.866	22.0	26.378	670.0	36.220	920.0	✓	✓
RT026080	1.024	26.0	3.150	80.0	4.724	120.0	✓	✓
RT026120	1.024	26.0	4.724	120.0	7.875	200.0	✓	✓
RT026200	1.024	26.0	7.875	200.0	13.780	350.0	✓	✓
RT026350	1.024	26.0	13.780	350.0	24.803	630.0	✓	✓
RT026670	1.024	26.0	26.378	670.0	36.220	920.0	✓	✓
RT028060	1.102	28.0	2.362	60.0	3.150	80.0	✓	
RT032080	1.260	32.0	3.150	80.0	4.724	120.0	✓	✓
RT032120	1.260	32.0	4.724	120.0	7.875	200.0	✓	✓
RT032200	1.260	32.0	7.875	200.0	13.780	350.0	✓	✓
RT040080	1.575	40.0	3.150	80.0	4.724	120.0	✓	✓
RT040120	1.575	40.0	4.724	120.0	7.875	200.0	✓	✓
RT040200	1.575	40.0	7.875	200.0	13.780	350.0	✓	✓
RT040350	1.575	40.0	13.780	350.0	24.803	630.0	✓	✓
RT040670	1.575	40.0	26.378	670.0	36.220	920.0	✓	✓
RT045060	1.771	45.0	2.362	60.0	3.150	80.0	✓	
RT045080	1.771	45.0	3.150	80.0	4.724	120.0	✓	
RT045120	1.771	45.0	4.724	120.0	7.875	200.0	✓	
RT045200	1.771	45.0	7.874	200.0	13.780	350.0	✓	
RT045350	1.771	45.0	13.779	350.0	24.409	620.0	✓	
RT052060	2.047	52.0	2.362	60.0	3.150	80.0	✓	✓
RT052080	2.047	52.0	3.150	80.0	4.724	120.0	✓	✓
RT052120	2.047	52.0	4.724	120.0	7.875	200.0	✓	✓
RT052200	2.047	52.0	7.875	200.0	13.780	350.0	✓	✓
RT052350	2.047	52.0	13.780	350.0	24.803	630.0	✓	✓
RT052670	2.047	52.0	26.378	670.0	36.220	920.0	✓	✓
RT055060	2.165	55.0	2.362	60.0	3.150	80.0	✓	
RT055080	2.165	55.0	3.150	80.0	4.724	120.0	✓	
RT055120	2.165	55.0	4.724	120.0	7.875	200.0	✓	
RT055200	2.165	55.0	7.875	200.0	13.780	350.0	✓	
RT055350	2.165	55.0	13.780	350.0	24.409	620.0	✓	
RT065080	2.559	65.0	3.150	80.0	4.724	120.0	✓	✓
RT065111	2.559	65.0	4.370	111.0	6.969	177.0	✓	✓
RT065187	2.559	65.0	7.362	187.0	12.756	324.0	✓	✓
RT085080	3.346	85.0	3.150	80.0	4.134	105.0	✓	✓
RT085120	3.346	85.0	4.724	120.0	7.283	185.0	✓	✓
RT085200	3.346	85.0	7.875	200.0	13.583	345.0	✓	✓
RT085350	3.346	85.0	13.780	350.0	24.803	630.0	✓	✓
RT085670	3.346	85.0	26.378	670.0	36.220	920.0	✓	✓
RT105080	4.134	105.0	3.150	80.0	3.937	100.0	✓	✓
RT105136	4.134	105.0	5.354	136.0	8.425	214.0	✓	✓
RT105200	4.134	105.0	7.875	200.0	13.583	345.0	✓	✓
RT105330	4.134	105.0	12.992	330.0	21.654	550.0	✓	✓

*Indicates Ratchet-Style Length Variation.

"Inners" and "outers" are packed in separate cartons.

HANGER STYLES

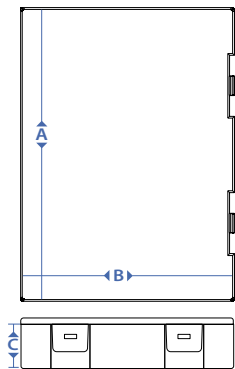
Plastic labels can be supplied plain
or pre-printed to your own requirements



Round (<29mm) Sombrero (>29mm)

MULTI BOXES

MB SERIES



**FREE
SAMPLES**

- Durable, Reusable and Resistant to Contaminates and Moisture
- Secure Snap Closure with Hinged Lid
- Standard or Custom Foam Inserts Available

REF #	(A) INSIDE LENGTH		(B) INSIDE WIDTH		(C) INSIDE HEIGHT (base)	
	in	mm	in	mm	in	mm
MB26	1.024	26.0	1.024	26.0	0.394	10.0
MB34	1.339	34.0	1.339	34.0	0.512	13.0
MB39	1.516	38.5	1.516	38.5	0.630	16.0
MB51	2.028	51.5	2.028	51.5	0.748	19.0
MB57	2.274	57.7	2.274	57.7	0.886	22.5
MB76	3.012	76.5	3.012	76.5	1.201	30.5
MB104	4.093	104.0	2.125	54.0	0.650	16.5
MB132	5.197	132.0	3.258	82.7	1.024	26.0

Plastic labels can be supplied plain or pre-printed to your own requirements



FOAM INSERTS

Black polyester foam inserts available for complete range of multi-boxes.



COLOR OPTIONS



MATERIAL COLORS: Red, Green (Light, Medium & Dark), Blue (Light, Medium & Dark), Orange, Yellow (Medium & Dark), Black, Transparent PP, and also Metallic Silver and Gold.

CUSTOM COLORS: Can be produced on request.

PRINTING: All sizes can be printed to your individual requirements.



- Featuring Five Connected Paks That Can Be Individually Detached
- Secure Snap Closure with Hinged Lid
- Durable, Reusable and Resistant to Contaminates and Moisture

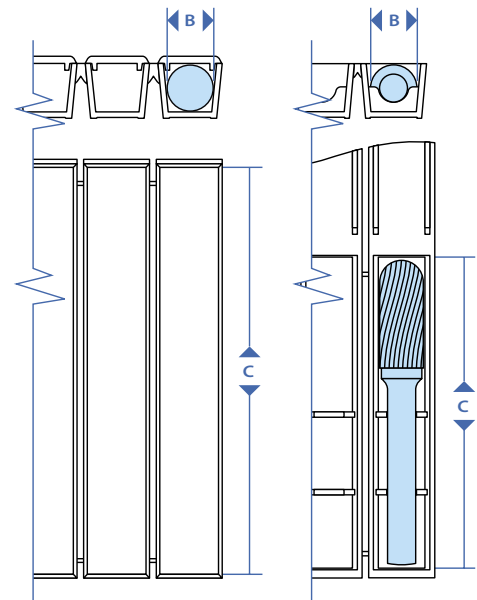
**FREE
SAMPLES**

SNAP-PAKS

REF #	(B) INSIDE WIDTH		(C) INSIDE LENGTH	
	in	mm	in	mm
SP1	0.250	6.4	1.673	42.5
SP2	0.250	6.4	2.165	55.0
SP3	0.250	6.4	2.854	72.5
SP4	0.250	6.4	3.346	85.0
SP5	0.375	9.5	2.677	68.0
SP6	0.375	9.5	3.346	85.0
SP7	0.375	9.5	4.134	105.0
SP8	0.500	12.7	3.583	91.0
SP9	0.500	12.7	4.409	112.0

SNAP-PAKS

BURR-PAKS



BURR-PAKS - features cradles to support burr shanks

REF #	TO FIT SHANK DIAMETER		TO FIT HEAD DIAMETER		(B) INSIDE WIDTH		(C) INSIDE LENGTH	
	in	mm	in	mm	in	mm	in	mm
SP1B	0.125	3.2	0.125	3.2	0.125	3.2	1.673	42.5
SP2B	0.125	3.2	0.250	6.4	0.250	6.4	2.165	55.0
SP5B	0.250	6.4	0.394	10.0	0.375	9.5	2.677	68.0
SP8B	0.250	6.4	0.472	12.0	0.500	12.7	3.583	91.0

COLOR OPTIONS



STANDARD COLORS: Red, Green (Light, Medium & Dark), Blue (Light, Medium & Dark), Orange, Yellow (Medium & Dark), Black, Transparent and also Metallic Silver and Gold.

SPECIAL COLORS: Can be produced on request.

PRINTING: All sizes can be printed to your individual requirements.



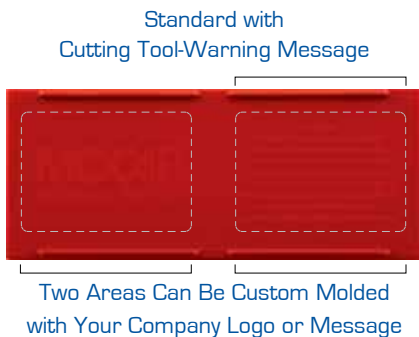
Perforated plastic labels for SNAP-PAKS and BURR-PAKS can be supplied plain or pre-printed to your own requirements

INSERT BOXES

IB SERIES







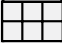
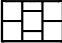

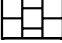


- Impact Resistant Material
- Features Individual Compartments
- Indexing Lid Opens in Either Direction
- **New!** Snap Stacking Feature



Plastic labels can be supplied plain or pre-printed to your own requirements

BOX TYPE	REF NO.	CELL SIZES (mm)	NUMBER OF CELLS	EXTERNAL BOX SIZE L X W X H (mm)
	IB10/M1	12.0 x 12.0 x 6.6	10	67.0 X 27.5 X 12.4
	IB02/M1	31.40 x 24.9 x 15.2	2	67.0 X 27.5 X 21
	IB02/M2	63.8 x 11.9 x 15.2	2	67.0 X 27.5 X 21
	IB01/M1	63.8 x 24.9 x 10.0	1	67.0 X 27.5 X 15.8
	IB10/A1	18.3 x 18.3 x 6.6	10	97.7 X 40.4 X 12.4
	IB10/A2	12.0 x 12.0 x 6.6	10	97.7 X 40.4 X 12.4
	IB10/A3	8.8 x 37.5 x 8.2	10	97.7 X 40.4 X 14.0
	IB10/A4	18.3 x 18.3 x 10.0	10	97.7 X 40.4 X 15.8
	IB10/A5	14.4 x 25.8 x 6.6	10	97.7 X 40.4 X 12.4
	IB05/A1	18.3 x 18.3 x 6.6	5	97.7 X 40.4 X 12.4
	IB05/A2	31.1 x 24.4 x 6.6	5	97.7 X 40.4 X 12.4
	IB02/A1	47.15 x 37.5 x 6.6	2	97.7 X 40.4 X 12.4
	IB02/A2	47.15 x 37.5 x 10.0	2	97.7 X 40.4 X 15.8
	IB01/A1	95.3 x 37.5 x 6.6	1	97.7 X 40.4 X 12.4
	IB10/B1	26.0 x 26.0 x 8.2	10	137.9 X 56.4 X 14.6
	IB10/B2	26.0 x 26.0 x 19.0	10	137.9 X 56.4 X 25.4
	IB10/B3	26.0 x 26.0 x 14.0	10	137.9 X 56.4 X 20.4
	IB10/B4	26.0 x 26.0 x 26.0	10	137.9 X 56.4 X 32.4
	IB08/B1	15.9 x 53.0 x 19.0	8	137.9 X 56.4 X 25.4
	IB05/B1	26.0 x 26.0 x 8.2	5	137.9 X 56.4 X 14.6
	IB05/B2	26.0 x 26.0 x 12.8	5	137.9 X 56.4 X 19.2
	IB05/B3	26.0 x 53.0 x 8.2	5	137.9 X 56.4 X 14.6
	IB05/B4	26.0 x 53.0 x 12.8	5	137.9 X 56.4 X 19.2
	IB05/B5	26.0 x 53.0 x 14.0	5	137.9 X 56.4 X 20.4
	IB05/B6	26.0 x 53.0 x 19.0	5	137.9 X 56.4 X 25.4
	IB05/B7	44.3 x 37.1 x 8.2	5	137.9 X 56.4 X 14.6
	IB02/B1	66.5 x 53.0 x 12.8	2	137.9 X 56.4 X 19.2
	IB02/B2	66.5 x 53.0 x 12.8	2	137.9 X 56.4 X 19.2
	IB01/B1	134.0 x 53.0 x 8.2	1	137.9 X 56.4 X 14.6

• Available with foam insert (see page 13)

BOX TYPE	REF NO.	CELL SIZES (mm)	NUMBER OF CELLS	EXTERNAL BOX SIZE L X W X H (mm)
	IB10/C1	17.8 x 30.5 x 13.5	10	97.0 X 66.0 X 19.9
	IB05/C1	30.5 x 30.5 x 13.5	5	97.0 X 66.0 X 19.9
	IB05/C2	17.8 x 62.2 x 13.5	5	97.0 X 66.0 X 19.9
	IB01/C1	93.8 x 62.2 x 13.5	1	97.0 X 66.0 X 19.9
<hr/>				
	IB06/D1	35.8 x 35.8 x 25.0	6	114.5 X 76.0 X 31.4
	IB05/D1	35.8 x 35.8 x 13.5	5	114.5 X 76.0 X 19.9
	IB05/D2	35.8 x 35.8 x 10.5	5	114.5 X 76.0 X 16.9
	IB05/D3	35.8 x 35.8 x 25.0	5	114.5 X 76.0 X 31.4
	IB05/D4	21.0 x 39.5 x 15.0	5	114.5 X 76.0 X 21.4
	IB01/D1	109.8 x 72.8 x 15.0	1	114.5 X 76.0 X 21.4

• Available with foam insert (see page 13)



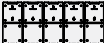

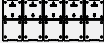
• IB01 available with custom die-cut foam inserts
see page 13



**FREE
SAMPLES**

INSERT BOX - SNAP BOX

Clarified PP

	IBSB05/18	18 X 18 X 8.5	5	119 X 24.3 X 12.2
	IBSB05/28	28 X 28 X 12.7	5	172.5 X 35.3 X 16.9
	IBSB05/38	38 X 38 X 16	5	225.0 X 45.9 X 20.5

Hinged Lids



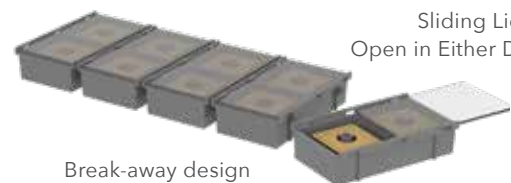
Break-away design

INSERT BOX - SNAP PAK

Impact Resistant
ABS Base & Lid

Sliding Lids
Open in Either Direction

	IBSP10/EL	8.5 X 37 X 8.5	10	133.2 X 40.2 X 12.4
	IBSP10/EW	18 X 18 X 8.5	10	133.2 X 40.2 X 12.4
	IBSP10/EWP	18 X 18 X 8.5	10	133.2 X 40.2 X 12.4
	IBSP05/E	18 X 37 X 8.5	5	133.2 X 40.2 X 12.4
	IBSP10/FL	14.7 X 62 X 13	10	198.1 X 65.5 X 16.9
	IBSP10/FW	30.5 X 30.5 X 13	10	198.1 X 65.5 X 16.9
	IBSP10/FWP	30.5 X 30.5 X 13	10	198.1 X 65.5 X 16.9
	IBSP05/F	30.5 X 62 X 13	5	198.1 X 65.5 X 16.9



Break-away design

Plastic labels can be supplied plain or pre-printed to your own requirements

COLOR OPTIONS



MATERIAL COLORS: Red, Green (Light, Medium & Dark), Blue (Light, Medium & Dark), Orange, Yellow (Medium & Dark), Black, Transparent PP, and also Metallic Silver and Gold.

For IBSP Parts ONLY, base is stocked in Light Gray ABS and Lid is stocked in Clear ABS

CUSTOM COLORS: Can be produced on request.

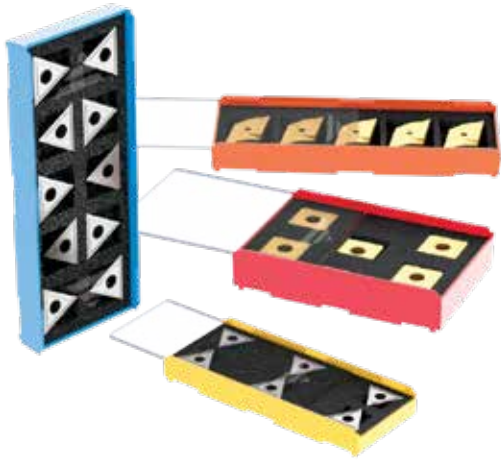
PRINTING: All sizes can be printed to your individual requirements.

BECKETT®
PACKAGING

Packaging Solutions from **MOCAP**

INSERT BOXES (CONTINUED)

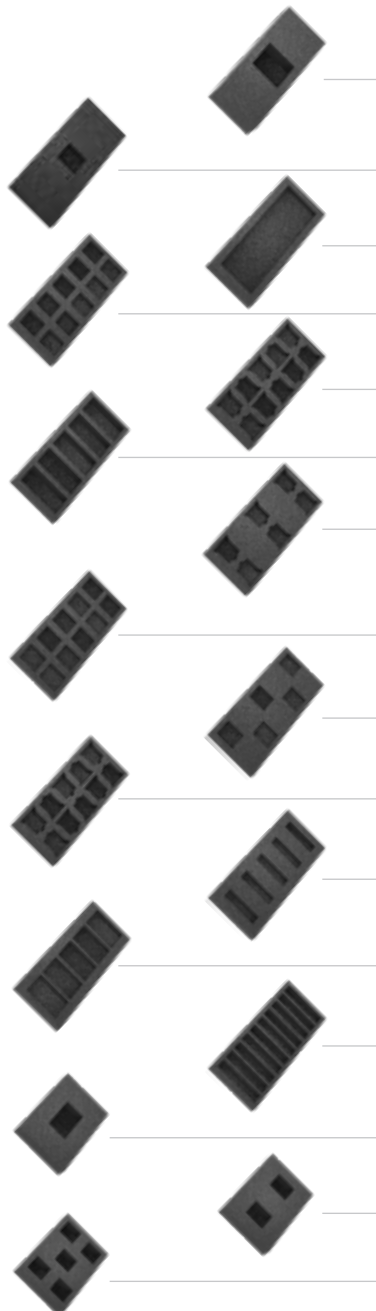
IB SERIES - WITH FOAM INSERTS



- **New!** Foam Inserts for extra protection
- Features Individual Compartments
- Holds tools in place during transit and storage

Plastic labels can be supplied plain or pre-printed to your own requirements

VARIOUS CELL STYLES



BOX TYPE	REF NO.	CELL SIZES (mm)	NUMBER OF CELLS	EXTERNAL BOX SIZE L X W X H (mm)
	IB01/M1KF42	16.0 x 16.0 x 7.0	1	67.0 X 27.5 X 15.8
	IB01/A1KF27	16.0 x 16.0 x 4.0	1	97.7 X 40.4 X 12.4
	IB01/A1KF28	86.0 x 27.0 x 4.0	1	97.7 X 40.4 X 12.4
	IB01/A1KF29	13.0 x 13.0 x 4.0	10	97.7 X 40.4 X 12.4
	IB01/A1KF30	17.0 x 13.0 x 4.0	10	97.7 X 40.4 X 12.4
	IB01/A1KF31	15.0 x 30.0 x 4.0	5	97.7 X 40.4 X 12.4
	IB01/A1KF32	17.0 x 13.0 x 4.0	6	97.7 X 40.4 X 12.4
	IB01/B1KF33	19.0 x 19.0 x 5.0	10	137.9 X 56.4 X 14.6
	IB01/B1KF34	19.0 x 19.0 x 5.0	5	137.9 X 56.4 X 14.6
	IB01/B1KF35	23.0 x 19.0 x 5.0	10	137.9 X 56.4 X 14.6
	IB01/B1KF36	10.0 x 35.0 x 5.0	5	137.9 X 56.4 X 14.6
	IB01/B1KF37	23.0 x 35.0 x 5.0	5	137.9 X 56.4 X 14.6
	IB01/B1KF38	10.0 x 45.0 x 5.0	10	137.9 X 56.4 X 14.6
	IB01/C1KF39	38.0 x 23.0 x 11.0	1	97.9 X 66.0 X 19.9
	IB01/C1KF40	20.0 x 23.0 x 11.0	2	97.9 X 66.0 X 19.9
	IB01/C1KF41	19.0 x 19.0 x 11.0	5	97.9 X 66.0 X 19.9

Ref Number Includes: Insert Box, Lid and Die-Cut Foam • Items Ship Unassembled

TAP SET BOXES

TS SERIES

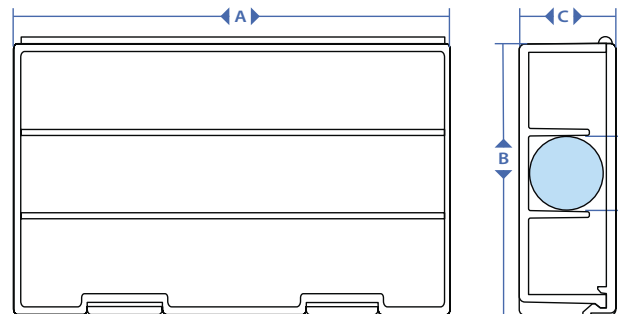
- Extensive Range of 6 Sizes
- Designed to Pack ISO, DIN and ANSI Series Taps
- Easy to Print, Label, Pack and Stack
- Molded in Transparent or Colored Polypropylene (PP), the Packaging is 100% Recyclable



**FREE
SAMPLES**

REF #	To Suit Tool Diameter Ø (in)	To Fit Tool Lengths (in)	TAP DIAMETERS			(A) LENGTH		(B) OUTSIDE WIDTH		(C) OUTSIDE HEIGHT	
			To Fit ISO 529	To Fit DIN 352	To Fit ANSI 302	in	mm	in	mm	in	mm
TS3P040	11/64	2-19/64	up to 5/32" up to 4mm	up to 4mm	up to no. 8 up to 5/32"	2.406	61.1	0.787	20.0	0.256	6.5
TS3P060	1/4	2-27/32	3/16 - 1/4" 4.5-6mm	4.5-6mm	no. 9-14 3/16 - 1/4"	2.945	74.8	1.063	27.0	0.343	8.7
TS3P100	3/8	3-7/32	5/16 - 3/8" 7-10mm	7-10mm	5/16 - 3/8"	3.378	85.8	1.472	37.4	0.496	12.6
TS3P120	1/2	3-37/64	7/16 - 1/2" 11-12mm	11-12mm	7/16 - 1/2"	3.756	95.4	1.839	46.7	0.642	16.3
TS3P160	5/8	4-3/32	9/16 - 5/8" 14-16mm	14-16mm	9/16 - 5/8"	4.280	108.7	2.323	59.0	0.787	20.0
TS3P250	1	5-3/16	3/4 - 1" 18-24mm	18-24mm	3/4 - 1"	5.433	138.0	3.496	88.8	1.193	30.3

Plastic labels can be supplied plain or pre-printed to your own requirements



COLOR OPTIONS



MATERIAL COLORS: Red, Green (Light, Medium & Dark), Blue (Light, Medium & Dark), Orange, Yellow (Medium & Dark), Black, Transparent PP and also Metallic Silver and Gold.

CUSTOM COLORS: Can be produced on request.

PRINTING: All sizes can be printed to your individual requirements.

BECKETT[®]
PACKAGING

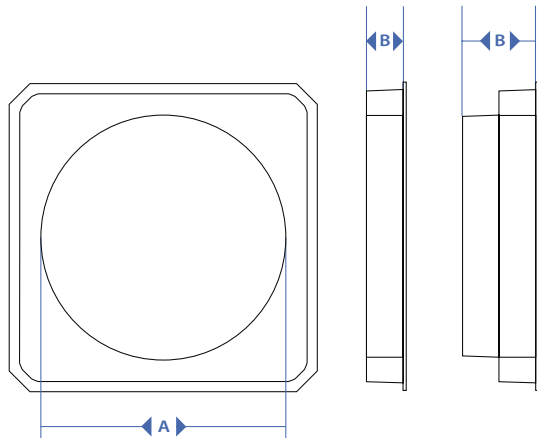
Packaging Solutions from **MOCAP**

www.beckettpackaging.com 800-649-4980

SIDE & FACE MILL BOXES

SF SERIES

**FREE
SAMPLES**



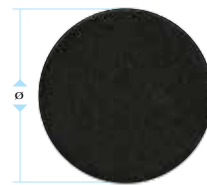
Labels can be supplied plain or pre-printed to your own requirements

BECKETT
PACKAGING
Packaging Solutions from **MOCAP**

- Custom designed packaging system for side and face mill cutters.
- Maximum visual impact combined with excellent graphics and labeling capabilities.

REF #	(A) DIAMETER		(B) INSIDE HEIGHT	
	in	mm	in	mm
SF5010	1.969	50.0	0.375	9.5
SF5016	1.969	50.0	0.625	15.9
SF6312	2.480	63.0	0.500	12.7
SF6320	2.480	63.0	0.750	19.1
SF8012	3.150	80.0	0.500	12.7
SF8025	3.150	80.0	1.000	25.4
SF10014	3.937	100.0	0.563	14.3
SF10025	3.937	100.0	1.000	25.4
SF12514	4.921	125.0	0.563	14.3
SF12525	4.921	125.0	1.000	25.4
SF16014	6.299	160.0	0.563	14.3
SF16020	6.299	160.0	0.750	19.1
SF20514	8.071	205.0	0.563	14.3
SF20522	8.071	205.0	0.875	22.2
SF20532	8.071	205.0	1.250	31.8

PROTECTIVE SPACERS BLACK FOAM 1/8" AND 1/4" THICK



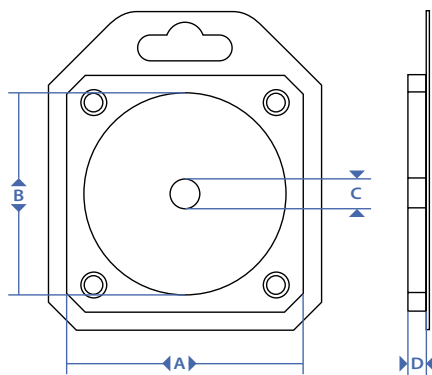
Foam disks increase protection of high cost cutters.

PART#	FOAM DIMENSIONS			
	DIAMETER Ø		THICKNESS	
	in	mm	in	mm
PS50/3	2.000	50.8	0.125	3.175
PS50/7	2.000	50.8	0.250	6.350
PS70/3	2.750	69.9	0.125	3.175
PS70/7	2.750	69.9	0.250	6.350
PS90/3	3.563	90.5	0.125	3.175
PS90/7	3.563	90.5	0.250	6.350
PS125/3	5.000	127.0	0.125	3.175
PS125/7	5.000	127.0	0.250	6.350
PS180/3	7.000	177.8	0.125	3.175
PS180/7	7.000	177.8	0.250	6.350

- Custom designed packaging system for saw blades.
- Maximum visual impact combined with excellent graphics and labeling capabilities.



REF #	(A) DIAMETER		(B) SAW DIAMETER		(C) CENTER POST DIAMETER		(D) INSIDE HEIGHT	
	in	mm	in	mm	in	mm	in	mm
SBX5006	2.087	53.0	1.969	50.0	0.197	5.0	0.256	6.5
SBX6306	2.559	65.0	2.480	63.0	0.394	10.0	0.256	6.5
SBX8006	3.268	83.0	3.150	80.0	0.394	10.0	0.256	6.5
SBX10006	4.134	105.0	3.937	100.0	0.394	10.0	0.256	6.5
SBX12506	5.000	127.0	4.921	125.0	0.394	10.0	0.256	6.5
SBX16006	6.417	163.0	6.299	160.0	0.394	10.0	0.256	6.5
SBX20506	8.189	208.0	8.071	205.0	0.394	10.0	0.256	6.5
SBX25506	10.156	258.0	10.039	255.0	0.394	10.0	0.256	6.5



**FREE
SAMPLES**

Plastic labels can be supplied plain or pre-printed to your own requirements

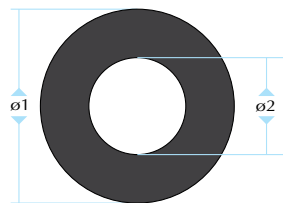
'DONUT' ADAPTOR RINGS BLACK LD45 FOAM 1/4" THICK



'Donut' adaptor rings secure saws with different bore diameters and eliminate movement in transit.

PART#	FOAM DIMENSIONS			
	DIAMETER Ø1		DIAMETER Ø2	
	in	mm	in	mm
DR10/5	0.375	9.5	0.187	4.8
DR13/5	0.500	12.7	0.187	4.8
DR16/10	0.625	15.8	0.375	9.5
DR22/10	0.875	22.2	0.375	9.5
DR25/10	1.000	25.4	0.375	9.5
DR27/10	1.062	26.9	0.375	9.5
DR32/10	1.250	31.75	0.375	9.5

PROTECTIVE SPACERS BLACK LD18 FOAM 1/8" THICK



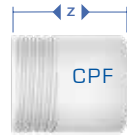
Foam disks increase protection of high cost cutters (e.g. carbide slitting saws) and also act as spacers between saws packed in multiples.

PART#	FOAM DIMENSIONS			
	DIAMETER Ø1		DIAMETER Ø2	
	in	mm	in	mm
PS38/13	1.500	38.1	0.500	12.7
PS50/25	2.000	50.8	1.000	25.4
PS70/32	2.750	69.8	1.250	31.7
PS90/32	3.562	90.4	1.250	31.7
PS125/32	5.000	127.0	1.250	31.7
PS180/32	7.000	177.8	1.250	31.7
PS240/32	9.500	241.3	1.250	31.7

SK BOXES

SK SERIES

- Designed for Packaging ISO, BT and DIN Tool Holders
- Secure Telescopic Screw closure
- Durable, Reusable and Resistant to Contaminates and Moisture



BASE (INNER)

REF #	(A) INSIDE DIAMETER	
	in	mm
SK40	2.559	65.0

SK50	4.134	105.0
------	-------	-------

CAP (OUTER)

REF #	(Z) OUTER LENGTH		HANGER (optional)
	in	mm	
CPF 65/065	2.559	65	✓
CPF 65/095	3.740	95	✓
CPF 65/171	6.732	171	✓
CPF 65/237	9.331	237	✓
CPF 65/303	11.929	303	✓

CPF 105/060	2.362	60	✓
CPF 105/115	4.528	115	✓
CPF 105/180	7.087	180	✓
CPF 105/245	9.646	245	✓
CPF 105/310	12.205	310	✓

Please note Bases and Outers can be supplied separately in different colors.

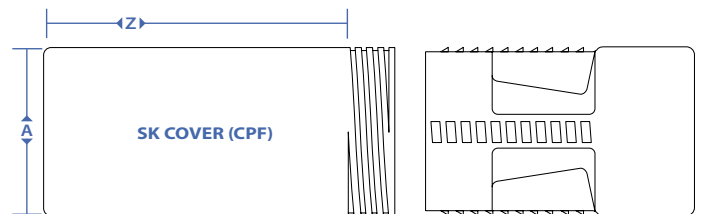
**FREE
SAMPLES**

PROTECTIVE END FOAM INSERTS (BLACK LD 45)



Foam disks increase protection of high cost cutters.

PART#	FOAM DIMENSIONS			
	DIAMETER Ø		THICKNESS	
	in	mm	in	mm
FD 50	2.000	50.8	0.250	6.35
FD 105	4.000	101.6	0.250	6.35



COLOR OPTIONS



STANDARD COLORS: Red, Green (Light, Medium & Dark), Blue (Light, Medium & Dark), Orange, Yellow (Medium & Dark), Black, Natural HDPE, Transparent PP and also Metallic Silver and Gold.

SPECIAL COLORS: Can be produced on request.

PRINTING: Customized Cylinder Pak printing available.

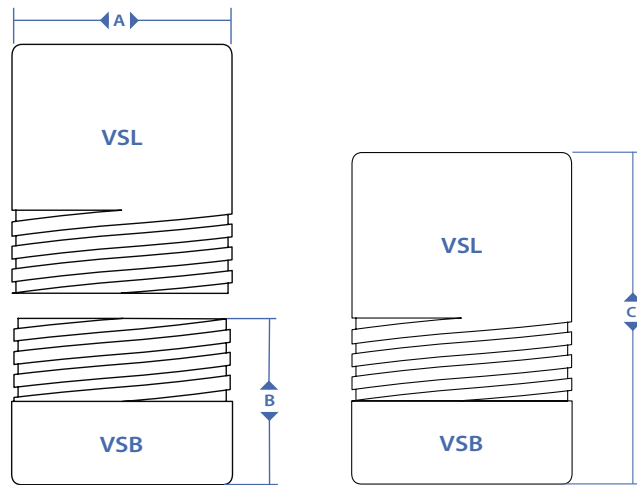
Plastic labels can be supplied plain or pre-printed to your own requirements

VERTICAL SET PAKS

VS SERIES



- Perfect Solution for Promotional Items, Kits or Tool Sets
- Great Visual Impact
- Standard or Custom Foam Inserts Available



**FREE
SAMPLES**

REF #	(A) INSIDE DIAMETER		(B) INSIDE BASE HEIGHT		(C) OVERALL HEIGHT	
	in	mm	in	mm	in	mm
VS45095	1.772	45.0	2.165	55.0	3.740	95.0
VS65075	2.559	65.0	1.969	50.0	2.953	75.0
VS65090	2.559	65.0	1.969	50.0	3.543	90.0
VS65110	2.559	65.0	1.969	50.0	4.331	110.0
VS65130	2.559	65.0	1.969	50.0	5.118	130.0
VS65135	2.559	65.0	2.953	75.0	5.315	135.0
VS65155	2.559	65.0	2.953	75.0	6.102	155.0

Lids and bases are packed in separate cartons.



Bases can be printed with your logo to promote your brand.

COLOR OPTIONS



BASE COLORS: Red, Light Blue, Dark Blue, Yellow and Black.

LID COLORS: All lids are produced in Clear PVC.

PRINTING: All sizes can be printed to your individual requirements.

FOAM INSERTS (BLACK LD18 OR BLUE LD33)

Inserts can be custom cut or provided blank according to your requirements.

Available in black LD18 and black or blue LD33.

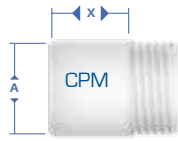
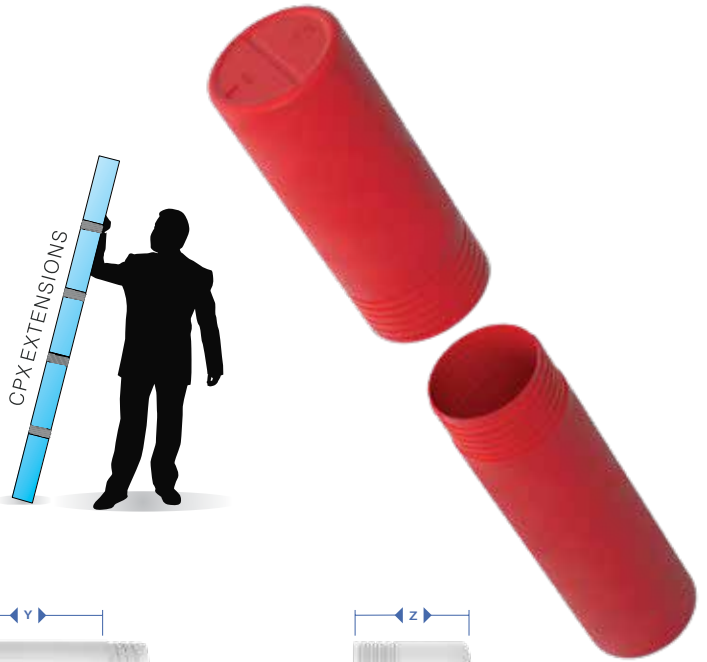


CYLINDER PAKS

CPK SERIES

- Cylindrical Packaging Tubes
Designed for Large Diameter Items
- Threaded Ends to Secure Fit
- Extensions Can Be Added to Achieve
Various Lengths

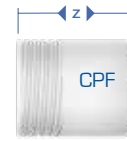
**FREE
SAMPLES**



BASE (INNER)



EXTENSION



CAP (OUTER)



REF #	(A) INSIDE DIAMETER		(X) INSIDE LENGTH	
	in	mm	in	mm
CPM 65/030			1.181	30
CPM 65/060			2.362	60
CPM 65/136	2.559	65.0	5.354	136
CPM 65/202			7.953	202
CPM 65/268			10.551	268

(optional)
(Y) INSIDE LENGTH

N/A

REF #	(Z) OUTER LENGTH		HANGER (optional)
	in	mm	
CPF 65/065	2.559	65	✓
CPF 65/095	3.740	95	✓
CPF 65/171	6.732	171	✓
CPF 65/237	9.331	237	✓
CPF 65/303	11.929	303	✓

CPM 85/025			0.984	25
CPM 85/065			2.559	65
CPM 85/145	3.346	85.0	5.709	145
CPM 85/295			11.614	295

REF# CPX 85/340	
in	mm
13.375	340

CPF 85/065	2.559	65	✓
CPF 85/105	4.134	105	✓
CPF 85/185	7.283	185	✓
CPF 85/335	13.188	335	✓

CPM 105/015			0.591	15
CPM 105/070			2.756	70
CPM 105/135	4.134	105.0	5.315	135
CPM 105/200			7.875	200
CPM 105/265			10.433	265

REF# CPX 105/315	
in	mm
12.375	315

CPF 105/060	2.362	60	✓
CPF 105/115	4.528	115	✓
CPF 105/180	7.087	180	✓
CPF 105/245	9.646	245	✓
CPF 105/310	12.205	310	✓

'Inners, outers and extensions' can be supplied separately in different colors.

COLOR OPTIONS



STANDARD COLORS: Red, Green (Light, Medium & Dark), Blue (Light, Medium & Dark), Orange, Yellow (Medium & Dark), Black, Natural HDPE, Transparent PP and also Metallic Silver and Gold.

SPECIAL COLORS: Can be produced on request.

PRINTING: Customized Cylinder Pak printing available.

Plastic labels can be supplied plain or pre-printed to your own requirements

TOOL FOAM PROTECTION

FOAM INSERTS

- Specially designed Foam Inserts protect high value, quality cutting tools.
- Foam Inserts support and protect the full length of the tool's cutting edge.

FREE
SAMPLES



SOLID FOAM CUBES IN BLACK LD18 OR BLUE LD33



FOAM REFERENCE NO.	FOAM DIMENSIONS	TELESCOPIC TUBE SIZES
FS08	$\frac{5}{16} \times \frac{5}{16} \times \frac{5}{16}$	8s
FS10	$\frac{3}{8} \times \frac{3}{8} \times \frac{3}{8}$	10s
FS12	$\frac{7}{16} \times \frac{7}{16} \times \frac{7}{16}$	12s
FS14	$\frac{9}{16} \times \frac{9}{16} \times \frac{9}{16}$	14s
FS16	$\frac{5}{8} \times \frac{5}{8} \times \frac{5}{8}$	16s
FS20	$\frac{3}{4} \times \frac{3}{4} \times \frac{3}{4}$	20s
FS22	$\frac{7}{8} \times \frac{7}{8} \times \frac{7}{8}$	22s
FS26	1 × 1 × 1	26s
FS32	$1\frac{1}{4} \times 1\frac{1}{4} \times 1\frac{3}{16}$	32s
FS45	$1\frac{3}{4} \times 1\frac{3}{4} \times 1\frac{3}{16}$	45s

Minimum Quantity 1000 each size

BORED FOAM CUBES IN BLACK OR BLUE LD33



TOOL DIAMETERS	FOAM REFERENCE NO.	FOAM DIMENSIONS	NOMINAL BORE SIZES	TELESCOPIC TUBE SIZES
1/16	FB1401	$\frac{5}{8} \times \frac{5}{8} \times \frac{5}{8}$	1/16	8s
1/8	FB1403	$\frac{5}{8} \times \frac{5}{8} \times \frac{5}{8}$	1/8	10s
1/4	FB1406	$\frac{5}{8} \times \frac{5}{8} \times \frac{5}{8}$	1/4	12s
1/8	FB2003	$\frac{7}{8} \times \frac{7}{8} \times \frac{7}{8}$	1/8	14s
1/4	FB2006	$\frac{7}{8} \times \frac{7}{8} \times \frac{7}{8}$	1/4	16s
5/16 - 3/8	FB2008	$\frac{7}{8} \times \frac{7}{8} \times \frac{7}{8}$	5/16	20s
3/8	FB2610	$1\frac{1}{16} \times 1\frac{1}{16} \times 1\frac{1}{16}$	3/8	22s
1/2 - 9/16	FB2612	$1\frac{1}{16} \times 1\frac{1}{16} \times 1\frac{1}{16}$	1/2	26s
5/8 - 3/4	FB3216	$1\frac{3}{8} \times 1\frac{3}{8} \times 1\frac{3}{8}$	5/8	32s
13/16 - 1	FB4520	$1\frac{13}{16} \times 1\frac{13}{16} \times 1\frac{3}{8}$	13/16	45s

Minimum Quantity 1000 each size

1/4" THICK BLACK LD45 FOAM DISCS



FOAM REFERENCE NO.	FOAM DIMENSIONS	TELESCOPIC TUBE SIZES
FD19	$\frac{3}{4}$	20s & 22s
FD25	1	26s
FD30	$1\frac{3}{16}$	32s
FD38	$1\frac{1}{2}$	40s & 45s
FD50	2	52s, 56s, 65s

Minimum Quantity 1000 each size



BECKETT[®]
PACKAGING
Packaging Solutions from **MOCAP**

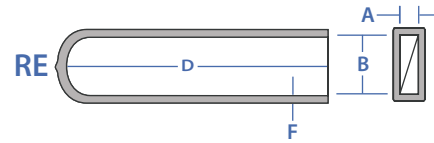
PROTECTIVE TOOL COVERS

PTC SERIES



**FREE
SAMPLES**

- Snug Fit, but Easily Removed
- Flexible Yet Durable - Won't Split, Tear or Shred
- Sizes Fit Multiple Imperial and Metric Tool Diameters



REF #	(A) INSIDE DEPTH		(B) INSIDE WIDTH		(D) LENGTH		(F) WALL THICKNESS		TO FIT TOOL DIAMETER		STOCKED COLOR
	in	mm	in	mm	in	mm	in	mm	in	mm	
RFVGC9058R-15	0.062	1.6	0.375	9.5	2.000	50.8	0.055	1.4	.125 • .1875	3 • 4 • 5	Red
RFVGC9071OR-15	0.125	3.2	0.500	12.7	2.000	50.8	0.060	1.5	.250 • .3125	6 • 8	Orange
RFVGC9074YW-15	0.125	3.2	0.750	19.1	2.000	50.8	0.060	1.5	.375 • .375	10 • 11 • 12	Yellow
RFVGC9083GR-20	0.250	6.4	0.750	19.1	3.000	76.2	0.060	1.5	.500 • .5625	14	Green
RFVGC9084BL-15	0.250	6.4	1.000	25.4	3.000	76.2	0.060	1.5	.625	16 • 18	Blue
RFVGC9085G-25	0.250	6.4	1.250	31.8	4.000	101.6	0.060	1.5	.750 • .875	20 • 22	Gray
RFVGC1202-25	0.250	6.4	1.437	36.5	4.000	101.6	0.055	1.4	1.000	24 • 25	Black

Protective Tool Covers can be printed on to advertise your brand or provide product details or specifications

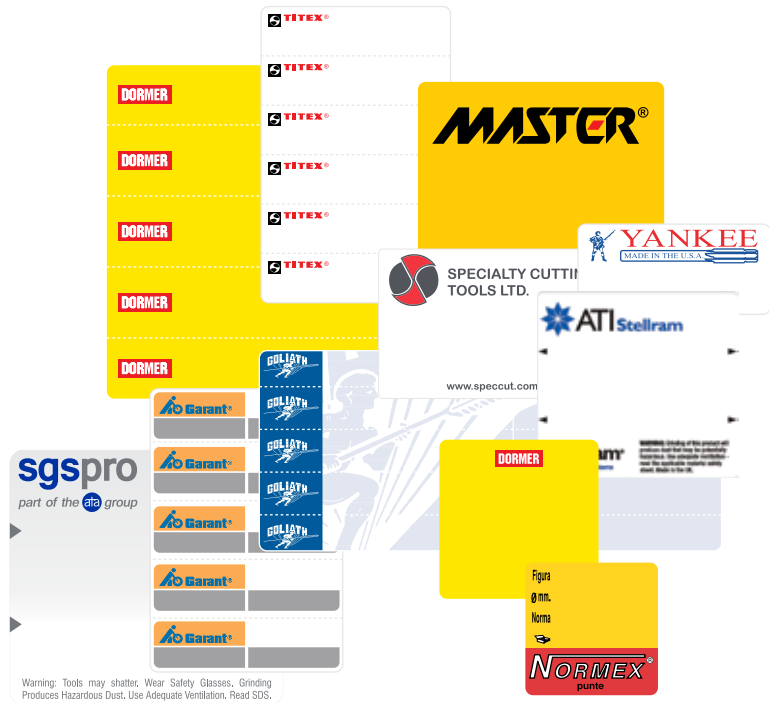


BECKETT
PACKAGING
Packaging Solutions from **MOCAP**

PLASTIC LABELS

CUSTOM DESIGNED LABELS

- Specialized plastic labels are not affected by oil and moisture and are also easy to remove and replace.
- All the labels can be pre-printed with your own corporate image.
- Labels can also be supplied with special 'high tack' adhesive to maintain good contact with even the smallest tubes.

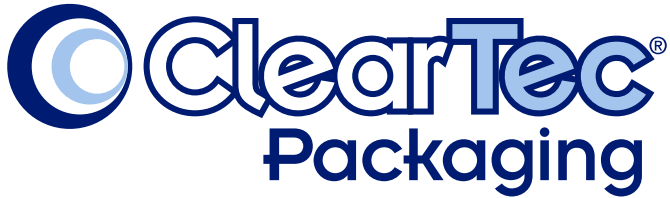


Plastic labels can be supplied plain or pre-printed to your own requirements

SNAP-PAK LABELS

An extensive range of specialized perforated plastic labels are also available for use with our complete range of Snap-Paks and can be supplied in standard colors or pre-printed to customer requirements.





Packaging Solutions from **MOCAP**

Clear Plastic Tubes & Containers

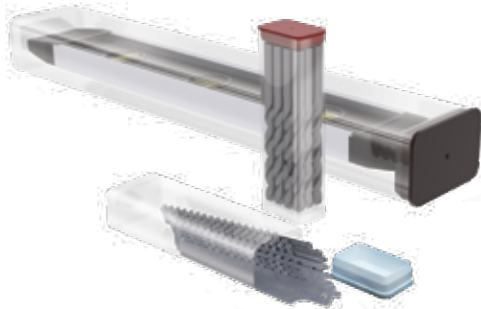


Round Tubes

MOCAP manufactures Heavy Wall clear plastic tubes and Thin Wall clear plastic tubes are an ideal way to house a wide variety of consumer and industrial products, where our Sealed Bottom clear plastic tubes and retail-ready Hanging Tubes are excellent for many types of POP and display-friendly packaging.

Square Tubes

MOCAP manufactures a full-line of Square clear plastic tubes. These square tubes are ideal for many types of retail and industrial packaging applications. If you're searching for that distinctive look or if you require an 'anti-roll' package, our square clear plastic tubes are a perfect choice.



Rectangular Tubes

MOCAP manufactures Rectangular clear plastic tubes which are an excellent addition to our standard product line. For times when standard square tubes won't work, they provide for an outstanding look on a retail shelf while maintaining ample product protection.

Closure Styles



MOCAP Solutions that Fit®

TAPERED CAPS & PLUGS

MOCAP manufactures a versatile line of Tapered Caps and Plugs that are designed to protect threads and fittings from moisture, contamination and damage during production, shipping and storage.



FRICTION FIT CAPS & PLUGS

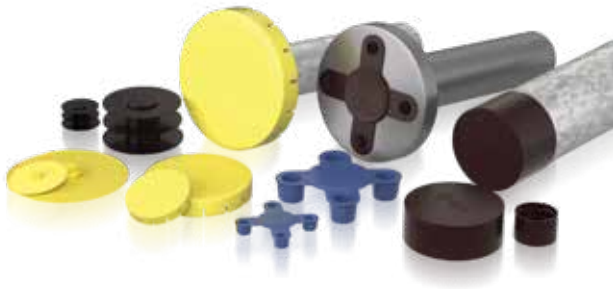
These Caps and Plugs are non-threaded, which allow them to easily slide into place, and then remove with little effort.

MOCAP's line of friction fit Caps and Plugs are designed to protect threads and fittings from moisture, contamination and damage during production, shipping and storage.

PROTECTIVE GRIPS

MOCAP manufactures a wide selection of Round Grips, Flat Grips and Finger Nub Grips.

The vinyl dip molding process produces flexible PVC Grips that allow you to specify length, wall thickness, color, surface texture, and material hardness with no additional tooling charges.



PIPE & FLANGE PROTECTION

MOCAP manufactures a range of Caps, Plugs and Push-In Flange Protectors for use with Pipe, Tubing and Flanges.

MOCAP offers various sizes and styles of these protective Caps and Plugs, many of which are in-stock available for immediate shipment.

MOCAP has the plastic part that fits.

MASKING

MOCAP manufactures a wide variety of masking protection products in many materials, shapes and sizes to satisfy all of your masking requirements.

MOCAP EPDM rubber Caps and Plugs are good for temperatures up to 300°F (149°C) while silicone rubber Caps and Plugs perform in high temperatures exceeding 600°F (316°C).



Offering the Lowest Minimum Order Quantity with the Highest Stocking Levels in the Industry



www.mocap.com





Packaging Solutions from **MOCAP**

Beckett Packaging manufactures many styles and sizes of Telescopic Tubes as well as a large variety of Boxes, Cases and Pak Containers for standard or specialized packaging applications.

From blow-molded poly vinyl chloride, high-density polyethylene and polypropylene plastics to injection-molded high-density polyethylene and polypropylene plastics, Beckett Packaging manufactures the Low Cost, High Quality products to satisfy your requirements. Use a Beckett Packaging item to protect your product during shipping, storage, for presentation purposes or for retail sale.

Specialized Plastic Telescopic Tubes & Containers



Packaging Solutions from **MOCAP**

409 Parkway Drive
Park Hills, MO 63601 • USA
314.543.4150
314.543.4054 (fax)
www.beckettpackaging.com
800.649.4980
sales@beckettpackaging.com
customerservice@mocap.com



www.beckettpackaging.com

